

```
Public Class Form1
```

```
    Private Sub Form1_Load(sender As Object, e As EventArgs)  
Handles MyBase.Load
```

```
        For D = 0 To 89
```

```
            DataGridView1.Rows.Add( _  
                D.ToString, _  
                Math.Round(Math.Sin(D * Math.PI / 180), 6), _  
                Math.Round(Math.Cos(D * Math.PI / 180), 6), _  
                Math.Round(Math.Tan(D * Math.PI / 180), 6)  
            )
```

```
        Next
```

```
        DataGridView1.Rows.Add(90, 1, 0, "SONSUZ")
```

```
        DataGridView1.AutoSizeColumns()
```

```
End Sub
```

```
Private Sub KAYDETToolStripMenuItem_Click(sender As Object, e
As EventArgs) Handles KAYDETToolStripMenuItem.Click
    Dim CEVAP = MsgBox("DOSYA KAYDEDİLECEKTİR...", _
        MsgBoxStyle.YesNo, "UYARI")
    If CEVAP <> 6 Then
        MsgBox("KAYIT İPTAL EDİLDİ")
        Exit Sub
    End If
    FileOpen(1, "TRIGONIOMETRI.TXT", OpenMode.Output)
    For R = 0 To DataGridView1.Rows.Count - 2
        PrintLine(1, _
            DataGridView1(0, R).Value & Chr(9) & _
            DataGridView1(1, R).Value & Chr(9) & _
            DataGridView1(2, R).Value & Chr(9) & _
            DataGridView1(3, R).Value
        )
    Next
    FileClose()
    MsgBox("DOSYA BAŞARI İLE KAYDEDİLDİ....")
End Sub
```

```
Private Sub AçToolStripMenuItem_Click(sender As Object, e As
EventArgs) Handles AçToolStripMenuItem.Click
    On Error Resume Next
    Dim CEVAP = MsgBox("DOSYA AÇILACAKTIR...", _
        MsgBoxStyle.YesNo, "UYARI")
    If CEVAP <> 6 Then
        MsgBox("AÇMA İPTAL EDİLDİ")
        Exit Sub
    End If
    FileOpen(1, "TRIGONIOMETRI.TXT", OpenMode.Input)

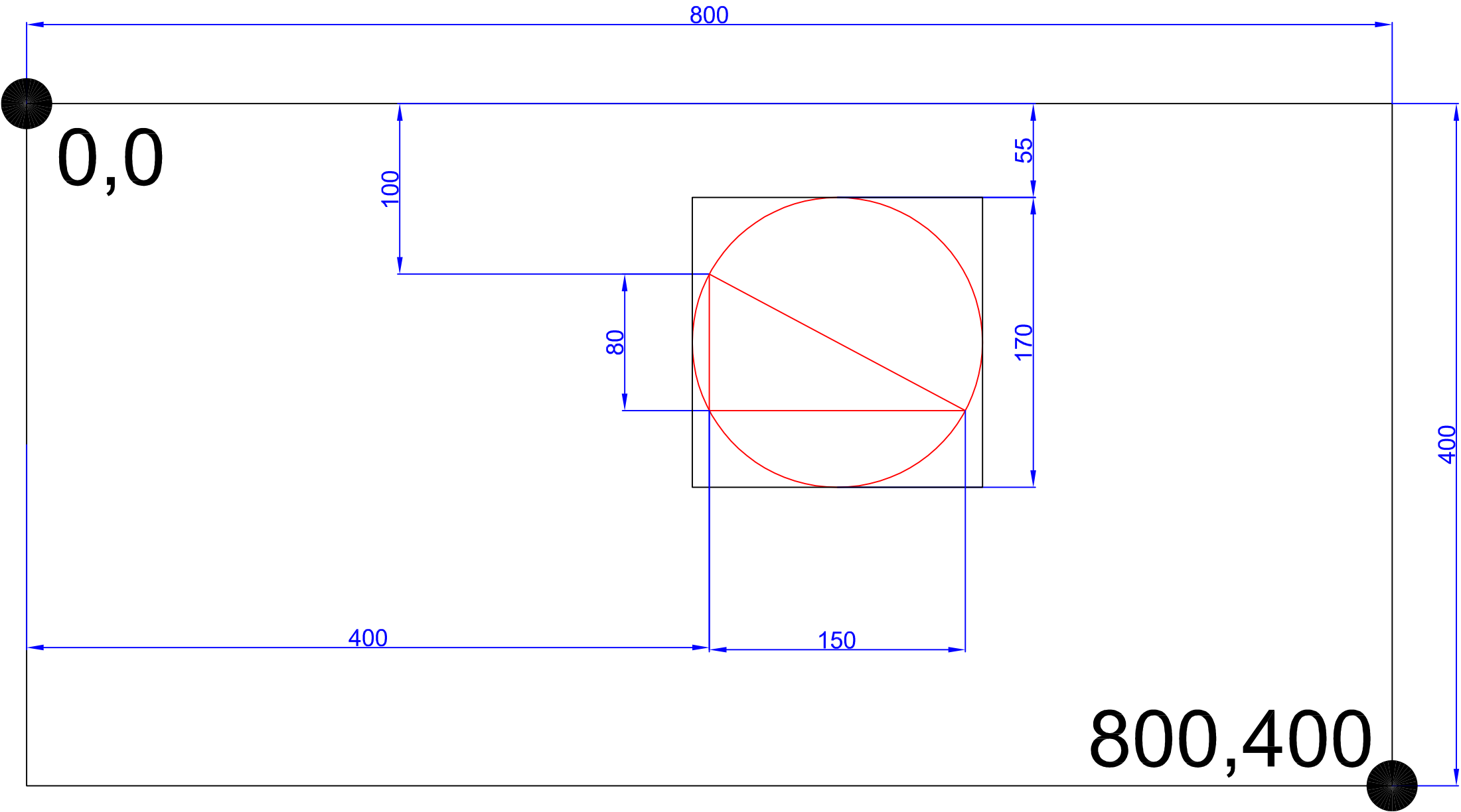
    Do While Not EOF(1)
        DataGridView1.Rows.Add(Split(LineInput(1), Chr(9)))
        If Err.Number <> 0 Then Exit Do
    Loop
    FileClose()
    If Err.Number <> 0 Then MsgBox("BİR HATA OLUŞTU....")
End Sub

End Class
```

```
Private Sub TABLOYUSILToolStripMenuItem_Click(sender As  
Object, e As EventArgs) Handles TABLOYUSILToolStripMenuItem.Click  
    DataGridView1.Rows.Clear()  
End Sub
```

```
Public Class Form1
    Private Sub PictureBox1_Paint(sender As Object, e As PaintEventArgs)
Handles PictureBox1.Paint
        Dim RESIM As New Bitmap(800, 400)
        Dim ÇİZ As Graphics = Graphics.FromImage(RESIM)

        ÇİZ.DrawLine(New Pen(Brushes.Blue, 5), 400, 100, 400, 180)
        ÇİZ.DrawLine(New Pen(Brushes.Blue, 5), 400, 180, 550, 180)
        ÇİZ.DrawLine(New Pen(Brushes.Blue, 5), 550, 180, 400, 100)
        ÇİZ.DrawEllipse(New Pen(Brushes.Blue, 5), 390, 55, 170, 170)
        PictureBox1.Image = RESIM
    End Sub
End Class
```



0,0

800,400